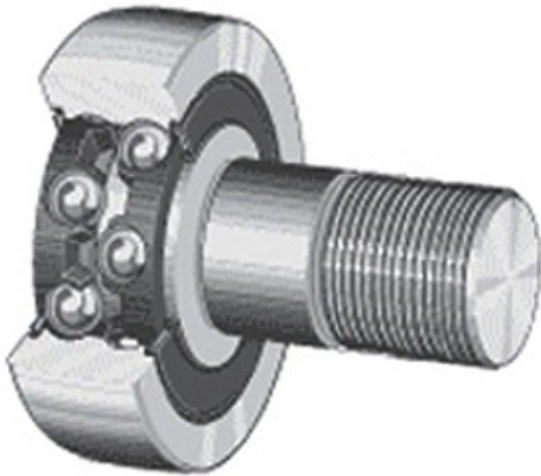




# BEARING CORP.OF AMERICA

## OSBORN LOAD RUNNERS HPC-62-1 Cam Follower and Track Roller - Stud Type



HPC-62-1 Bearing 2D drawings and 3D CAD models

Bearing No. HPC-62-1

Category	Cam Follower and Track Roller - Stud Type
Inventory	0.0
Manufacturer Name	OSBORN
Minimum Buy Quantity	N/A
Weight	1.04
EAN	0622424950695
Product Group	B04120
Roller Surface Profile	Flat
Profile	Stud Type
Thread Size	M24X1.5
Stud Profile	Standard Stud
Enclosure	Sealed
Rolling Element	Ball Bearing - Double Row
Relubricatable	No
Hex Socket	Yes
Inch - Metric	Metric
Long Description	62MM Roller Diameter; 44MM Roller Width; Flat Roller Surface; Stud Type; 24MM Stud Diameter; M24X1.5 Thread; Standard Stud; Sealed; Ball Bearing - Double Row; Not Relubricatable; Hex Socket
Category	Cam Followers Stud Type
UNSPSC	31171530
Harmonized Tariff Code	8482.10.50.68



## BEARING CORP.OF AMERICA

Noun	Bearing
Keyword String	Cam Follower
Manufacturer URL	<a href="http://www.osborn.com">http://www.osborn.com</a>
Manufacturer Item Number	HPC-62-1
Manufacturer Internal Number	95069
Weight / LBS	2.293
Roller Diameter	2.441 Inch   62 Millimeter
Stud Diameter	0.945 Inch   24 Millimeter
Roller Width	1.732 Inch   44 Millimeter