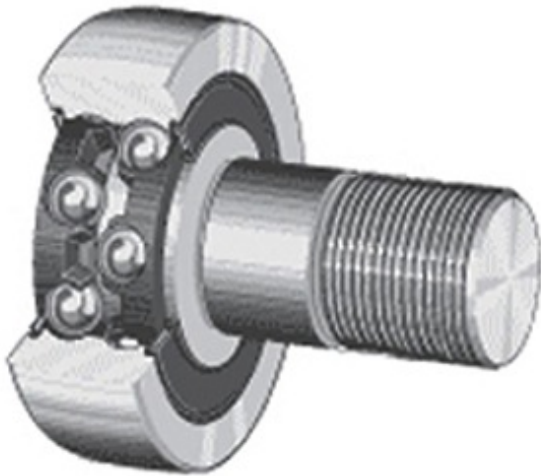




# BEARING CORP.OF AMERICA

## OSBORN LOAD RUNNERS HPC-52 Cam Follower and Track Roller - Stud Type



HPC-52 Bearing 2D drawings and 3D CAD models

Bearing No. HPC-52

Category	Cam Follower and Track Roller - Stud Type
Inventory	0.0
Manufacturer Name	OSBORN
Minimum Buy Quantity	N/A
Weight	0.54
Product Group	B04120
Roller Surface Profile	Flat
Profile	Stud Type
Thread Size	M20X1.5
Stud Profile	Standard Stud
Enclosure	Sealed
Rolling Element	Ball Bearing - Double Row
Relubricatable	No
Hex Socket	Yes
Inch - Metric	Metric
Long Description	52MM Roller Diameter; 33.6MM Roller Width; Flat Roller Surface; Stud Type; 20MM Stud Diameter; M20X1.5 Thread; Standard Stud; Sealed; Ball Bearing - Double Row; Not Relubricatable; Hex Socket
Category	Cam Followers Stud Type
UNSPSC	31171530
Harmonized Tariff Code	8482.10.50.68
Noun	Bearing



## BEARING CORP.OF AMERICA

Keyword String	Cam Follower
Manufacturer URL	<a href="http://www.osborn.com">http://www.osborn.com</a>
Manufacturer Item Number	HPC-52
Manufacturer Internal Number	95066
Weight / LBS	1.19
Roller Diameter	2.047 Inch   52 Millimeter
Roller Width	1.323 Inch   33.6 Millimeter
Stud Diameter	0.787 Inch   20 Millimeter