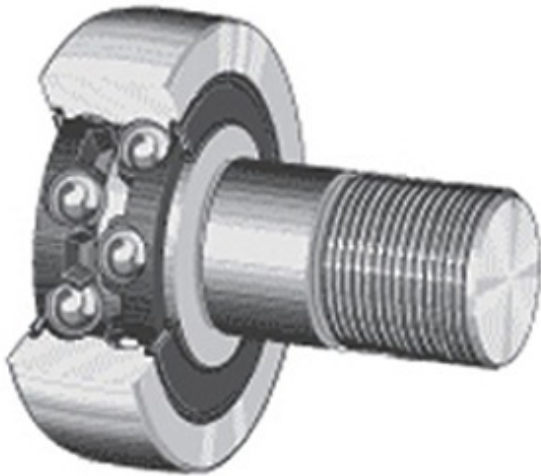




BEARING CORP.OF AMERICA

OSBORN LOAD RUNNERS HPC-50 Cam Follower and Track Roller - Stud Type



HPC-50 Bearing 2D drawings and 3D CAD models

Bearing No. HPC-50

| | |
|------------------------|---|
| Category | Cam Follower and Track Roller - Stud Type |
| Inventory | 0.0 |
| Manufacturer Name | OSBORN |
| Minimum Buy Quantity | N/A |
| Weight | 0.54 |
| EAN | 0622424950688 |
| Product Group | B04120 |
| Roller Surface Profile | Flat |
| Profile | Stud Type |
| Thread Size | M16X2 |
| Stud Profile | Standard Stud |
| Enclosure | Sealed |
| Rolling Element | Ball Bearing - Double Row |
| Relubricatable | No |
| Hex Socket | Yes |
| Inch - Metric | Metric |
| Long Description | 50MM Roller Diameter; 40MM Roller Width; Flat Roller Surface; Stud Type; 16MM Stud Diameter; M16X2 Thread; Standard Stud; Sealed; Ball Bearing - Double Row; Not Relubricatable; Hex Socket |
| Category | Cam Followers Stud Type |
| UNSPSC | 31171530 |
| Harmonized Tariff Code | 8482.10.50.68 |



BEARING CORP.OF AMERICA

| Noun | Bearing |
|------------------------------|---|
| Keyword String | Cam Follower |
| Manufacturer URL | http://www.osborn.com |
| Manufacturer Item Number | HPC-50 |
| Manufacturer Internal Number | 95068 |
| Weight / LBS | 1.19 |
| Roller Diameter | 1.969 Inch 50 Millimeter |
| Roller Width | 1.575 Inch 40 Millimeter |
| Stud Diameter | 0.63 Inch 16 Millimeter |