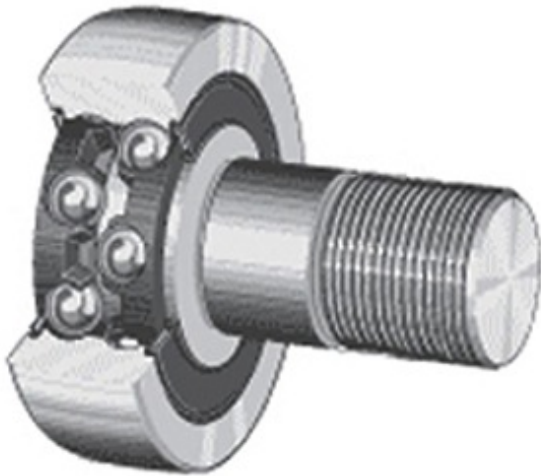




BEARING CORP.OF AMERICA

OSBORN LOAD RUNNERS HPC-40-1 Cam Follower and Track Roller - Stud Type



HPC-40-1 Bearing 2D drawings and 3D CAD models

Bearing No. HPC-40-1

Category	Cam Follower and Track Roller - Stud Type
Inventory	0.0
Manufacturer Name	OSBORN
Minimum Buy Quantity	N/A
Weight	0.24
Product Group	B04120
Roller Surface Profile	Flat
Profile	Stud Type
Thread Size	M18X1.5
Stud Profile	Standard Stud
Enclosure	Sealed
Rolling Element	Ball Bearing - Double Row
Relubricatable	No
Hex Socket	Yes
Inch - Metric	Metric
Long Description	40MM Roller Diameter; 27.6MM Roller Width; Flat Roller Surface; Stud Type; 18MM Stud Diameter; M18X1.5 Thread; Standard Stud; Sealed; Ball Bearing - Double Row; Not Relubricatable; Hex Socket
Category	Cam Followers Stud Type
UNSPSC	31171530
Harmonized Tariff Code	8482.10.50.68
Noun	Bearing



BEARING CORP.OF AMERICA

Keyword String	Cam Follower
Manufacturer URL	http://www.osborn.com
Manufacturer Item Number	HPC-40-1
Manufacturer Internal Number	95063
Weight / LBS	0.529
Stud Diameter	0.709 Inch 18 Millimeter
Roller Width	1.087 Inch 27.6 Millimeter
Roller Diameter	1.575 Inch 40 Millimeter