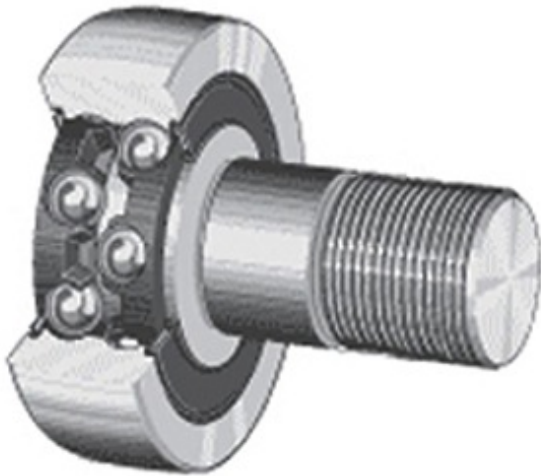




BEARING CORP.OF AMERICA

OSBORN LOAD RUNNERS HPC-40 Cam Follower and Track Roller - Stud Type



HPC-40 Bearing 2D drawings and 3D CAD models

Bearing No. HPC-40

Category	Cam Follower and Track Roller - Stud Type
Inventory	0.0
Manufacturer Name	OSBORN
Minimum Buy Quantity	N/A
Weight	0.27
EAN	0622424950640
Product Group	B04120
Roller Surface Profile	Flat
Profile	Stud Type
Thread Size	M14X2
Stud Profile	Standard Stud
Enclosure	Sealed
Rolling Element	Ball Bearing - Double Row
Relubricatable	No
Hex Socket	Yes
Inch - Metric	Metric
Long Description	40MM Roller Diameter; 30MM Roller Width; Flat Roller Surface; Stud Type; 14MM Stud Diameter; M14X2 Thread; Standard Stud; Sealed; Ball Bearing - Double Row; Not Relubricatable; Hex Socket
Category	Cam Followers Stud Type
UNSPSC	31171530
Harmonized Tariff Code	8482.10.50.68



BEARING CORP.OF AMERICA

Noun	Bearing
Keyword String	Cam Follower
Manufacturer URL	http://www.osborn.com
Manufacturer Item Number	HPC-40
Manufacturer Internal Number	95064
Weight / LBS	0.595
Roller Width	1.181 Inch 30 Millimeter
Stud Diameter	0.551 Inch 14 Millimeter
Roller Diameter	1.575 Inch 40 Millimeter