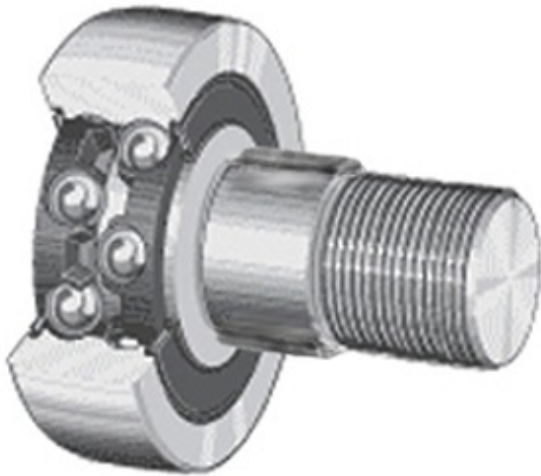




BEARING CORP.OF AMERICA

OSBORN LOAD RUNNERS HPCE-62 Cam Follower and Track Roller - Stud Type



HPCE-62 Bearing 2D drawings and 3D CAD models

Bearing No. HPCE-62

Category	Cam Follower and Track Roller - Stud Type
Inventory	0.0
Manufacturer Name	OSBORN
Minimum Buy Quantity	N/A
Weight	1.1
EAN	0622424958394
Product Group	B04120
Roller Surface Profile	Flat
Profile	Stud Type
Thread Size	M24X3
Stud Profile	Standard Stud with Eccentric Bushing
Enclosure	Sealed
Rolling Element	Ball Bearing - Double Row
Relubricatable	No
Hex Socket	Yes
Inch - Metric	Metric
Long Description	62MM Roller Diameter; 44MM Roller Width; Flat Roller Surface; Stud Type; 24MM Stud Diameter; M24X3 Thread; Standard Stud with Eccentric Bushing; Sealed; Ball Bearing - Double Row; Not Relubricatable;
Category	Cam Followers Stud Type



BEARING CORP.OF AMERICA

UNSPSC	31171530
Harmonized Tariff Code	8482.10.50.68
Noun	Bearing
Keyword String	Cam Follower
Manufacturer URL	http://www.osborn.com
Manufacturer Item Number	HPCE-62
Manufacturer Internal Number	95839
Weight / LBS	2.425
Stud Diameter	0.945 Inch 24 Millimeter
Roller Diameter	2.441 Inch 62 Millimeter
Roller Width	1.732 Inch 44 Millimeter