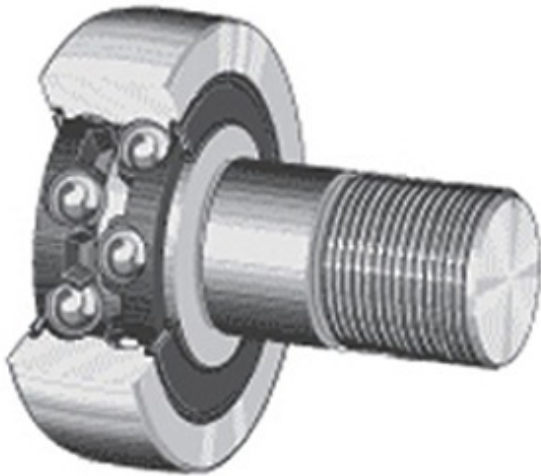




# BEARING CORP.OF AMERICA

## OSBORN LOAD RUNNERS PLRU-1-1/2 Cam Follower and Track Roller - Stud Type



PLRU-1-1/2 Bearing 2D drawings and 3D CAD models

Bearing No. PLRU-1-1/2

Category	Cam Follower and Track Roller - Stud Type
Inventory	0.0
Manufacturer Name	OSBORN
Minimum Buy Quantity	N/A
Weight	0.16
Product Group	B04120
Roller Surface Profile	Flat
Profile	Stud Type
Thread Size	5/8-18
Stud Profile	Standard Stud
Enclosure	Sealed
Rolling Element	Ball Bearing - Double Row
Relubricatable	No
Hex Socket	Yes
Inch - Metric	Inch
Other Features	Impact Resistant   Urethane Tread   Reduced Track Wear
Long Description	1-1/2" Roller Diameter; 1-3/16" Roller Width; Flat Roller Surface; Stud Type; 5/8" Stud Diameter; 5/8-18 Thread; Standard Stud; Sealed; Ball Bearing - Double Row; Not Relubricatable; He
Category	Cam Followers Stud Type



## BEARING CORP.OF AMERICA

UNSPSC	31171530
Harmonized Tariff Code	8482.10.50.68
Noun	Bearing
Keyword String	Cam Follower
Manufacturer URL	<a href="http://www.osborn.com">http://www.osborn.com</a>
Manufacturer Item Number	PLRU-1-1/2
Manufacturer Internal Number	97746
Weight / LBS	0.35
Stud Diameter	0.625 Inch   15.875 Millimeter
Roller Width	1.188 Inch   30.175 Millimeter
Roller Diameter	1.5 Inch   38.1 Millimeter