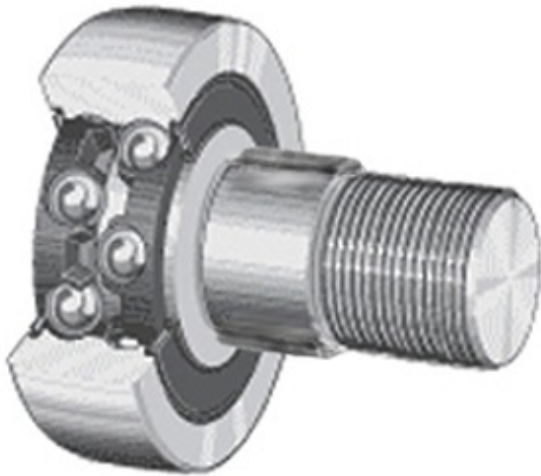




# BEARING CORP.OF AMERICA

## OSBORN LOAD RUNNERS PLRSE-2 Cam Follower and Track Roller - Stud Type



PLRSE-2 Bearing 2D drawings and 3D CAD models

Bearing No. PLRSE-2

Category	Cam Follower and Track Roller - Stud Type
Inventory	0.0
Manufacturer Name	OSBORN
Minimum Buy Quantity	N/A
Weight	0.726
Product Group	B04120
Roller Surface Profile	Flat
Profile	Stud Type
Thread Size	7/8-14
Stud Profile	Standard Stud with Eccentric Bushing
Enclosure	Sealed
Rolling Element	Ball Bearing - Double Row
Relubricatable	No
Hex Socket	Yes
Inch - Metric	Inch
Other Features	Corrosion Resistant   Stainless Steel Tread
Long Description	2" Roller Diameter; 1-11/16" Roller Width; Flat Roller Surface; Stud Type; 7/8" Stud Diameter; 7/8-14 Thread; Standard Stud with Eccentric Bushing; Sealed; Ball Bearing - Double Row; No
Category	Cam Followers Stud Type



## BEARING CORP.OF AMERICA

UNSPSC	31171530
Harmonized Tariff Code	8482.10.50.68
Noun	Bearing
Keyword String	Cam Follower
Manufacturer URL	<a href="http://www.osborn.com">http://www.osborn.com</a>
Manufacturer Item Number	PLRSE-2
Manufacturer Internal Number	97899
Weight / LBS	1.9
Stud Diameter	0.875 Inch   22.225 Millimeter
Roller Diameter	2 Inch   50.8 Millimeter
Roller Width	1.688 Inch   42.875 Millimeter