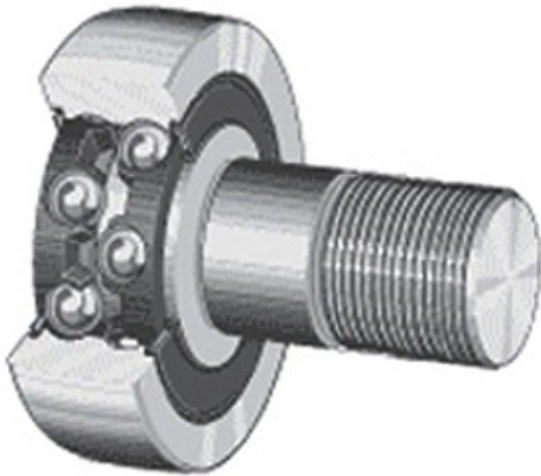




BEARING CORP.OF AMERICA

OSBORN LOAD RUNNERS PLRN-2-1/2 Cam Follower and Track Roller - Stud Type



PLRN-2-1/2 Bearing 2D drawings and 3D CAD models

Bearing No. PLRN-2-1/2

Category	Cam Follower and Track Roller - Stud Type
Inventory	0.0
Manufacturer Name	OSBORN
Minimum Buy Quantity	N/A
Weight	0.73
Product Group	B04120
Roller Surface Profile	Flat
Profile	Stud Type
Thread Size	1-14
Stud Profile	Standard Stud
Enclosure	Sealed
Rolling Element	Ball Bearing - Double Row
Relubricatable	No
Hex Socket	Yes
Inch - Metric	Inch
Other Features	Nylon Tread Seals Out Contamination
Long Description	2-1/2" Roller Diameter; 1-11/16" Roller Width; Flat Roller Surface; Stud Type; 1" Stud Diameter; 1-14 Thread; Standard Stud; Sealed; Ball Bearing - Double Row; Not Relubricatable; Hex S
Category	Cam Followers Stud Type
UNSPSC	31171530



BEARING CORP.OF AMERICA

Harmonized Tariff Code	8482.10.50.68
Noun	Bearing
Keyword String	Cam Follower
Manufacturer URL	http://www.osborn.com
Manufacturer Item Number	PLRN-2-1/2
Manufacturer Internal Number	97753
Weight / LBS	1.6
Stud Diameter	1 Inch 25.4 Millimeter
Roller Width	1.688 Inch 42.875 Millimeter
Roller Diameter	2.5 Inch 63.5 Millimeter