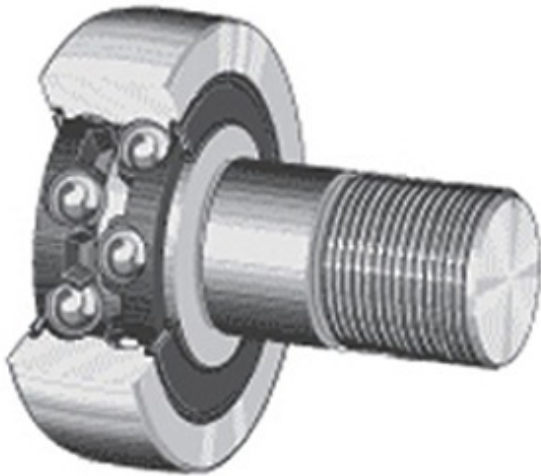




BEARING CORP.OF AMERICA

OSBORN LOAD RUNNERS PLRH-1-1/2 Cam Follower and Track Roller - Stud Type



PLRH-1-1/2 Bearing 2D drawings and 3D CAD models

Bearing No. PLRH-1-1/2

Category	Cam Follower and Track Roller - Stud Type
Inventory	0.0
Manufacturer Name	OSBORN
Minimum Buy Quantity	N/A
Weight	0.18
Product Group	B04120
Roller Surface Profile	Flat
Profile	Stud Type
Thread Size	5/8-18
Stud Profile	Standard Stud
Enclosure	Sealed
Rolling Element	Ball Bearing - Double Row
Relubricatable	No
Hex Socket	Yes
Inch - Metric	Inch
Other Features	Used for High-Temperature Applications
Long Description	1-1/2" Roller Diameter; 1-3/16" Roller Width; Flat Roller Surface; Stud Type; 5/8" Stud Diameter; 5/8-18 Thread; Standard Stud; Sealed; Ball Bearing - Double Row; Not Relubricatable; He
Category	Cam Followers Stud Type
UNSPSC	31171530



BEARING CORP.OF AMERICA

Harmonized Tariff Code	8482.10.50.68
Noun	Bearing
Keyword String	Cam Follower
Manufacturer URL	http://www.osborn.com
Manufacturer Item Number	PLRH-1-1/2
Manufacturer Internal Number	97726
Weight / LBS	0.4
Roller Width	1.188 Inch 30.175 Millimeter
Stud Diameter	0.625 Inch 15.875 Millimeter
Roller Diameter	1.5 Inch 38.1 Millimeter