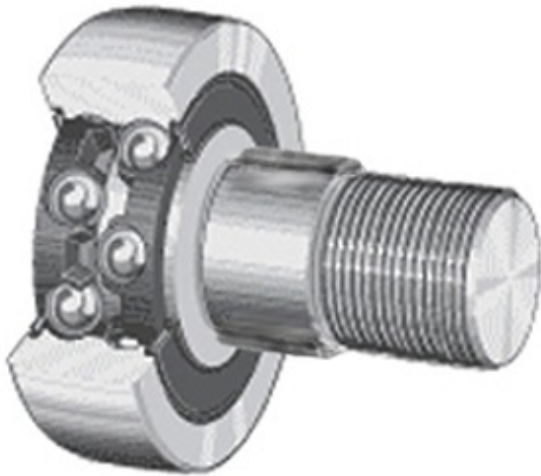




BEARING CORP.OF AMERICA

OSBORN LOAD RUNNERS PLRE-1 Cam Follower and Track Roller - Stud Type



PLRE-1 Bearing 2D drawings and 3D CAD models

Bearing No. PLRE-1

Category	Cam Follower and Track Roller - Stud Type
Inventory	0.0
Manufacturer Name	OSBORN
Minimum Buy Quantity	N/A
Weight	0.136
Product Group	B04120
Roller Surface Profile	Flat
Profile	Stud Type
Thread Size	7/16-20
Stud Profile	Standard Stud with Eccentric Bushing
Enclosure	Sealed
Rolling Element	Ball Bearing - Double Row
Relubricatable	No
Hex Socket	Yes
Inch - Metric	Inch
Other Features	High Alloy Steel Tread
Long Description	1" Roller Diameter; 25/32" Roller Width; Flat Roller Surface; Stud Type; 7/16" Stud Diameter; 7/16-20 Thread; Standard Stud with Eccentric Bushing; Sealed; Ball Bearing - Double Row; No
Category	Cam Followers Stud Type
UNSPSC	31171530



BEARING CORP.OF AMERICA

Harmonized Tariff Code	8482.10.50.68
Noun	Bearing
Keyword String	Cam Follower
Manufacturer URL	http://www.osborn.com
Manufacturer Item Number	PLRE 1
Manufacturer Internal Number	97322
Weight / LBS	0.3
Roller Diameter	1 Inch 25.4 Millimeter
Roller Width	0.781 Inch 19.837 Millimeter
Stud Diameter	0.438 Inch 11.125 Millimeter